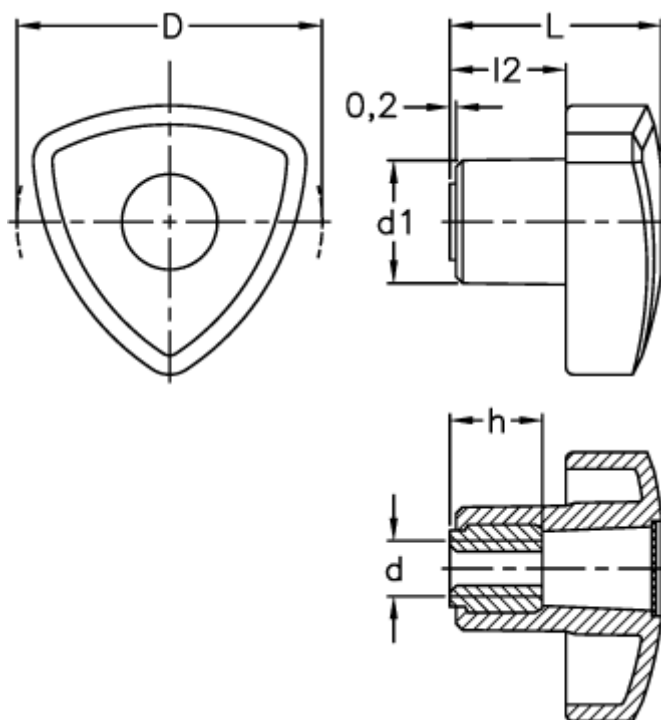


Article number: 2302083811

Description: E+G Lock knob  
VTR.50 B-M10, black

## Measures



$d$	= 50
$d_1$	= 19
$d_6H$	= M10
$L$	= 35
$l_2$	= 19